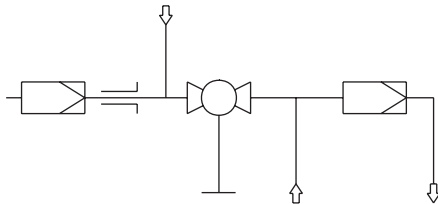


Sample gas probe GAS 222.11

Flow Diagram



Descripton:

- Unheated sample gas probe with shut off valve and downstream filter
- Filter can be replaced without tools
- For dust concentration up to 2g/m³, non condensable gases
- For hazardous areas, no internal ignition point

Technical data:

- Material 1.4571, ball valve 1.4408
- Seals: graphite/1.4404 and see filter elements
- Operating temperature max. 200°C
- Max. working pressure 6 bar

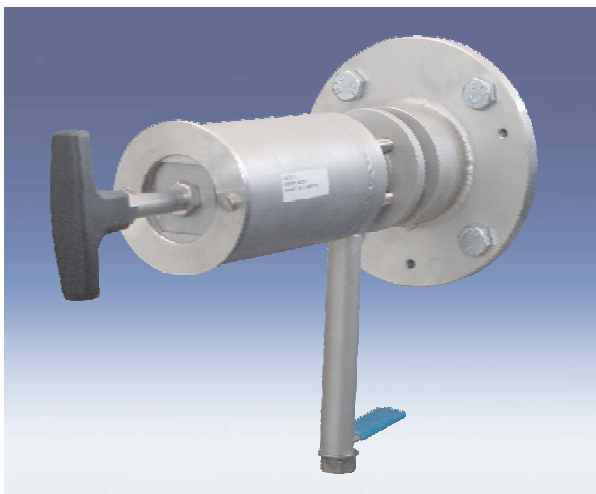
Order information: Base unit:

- GAS 222.11 p/n 4622211

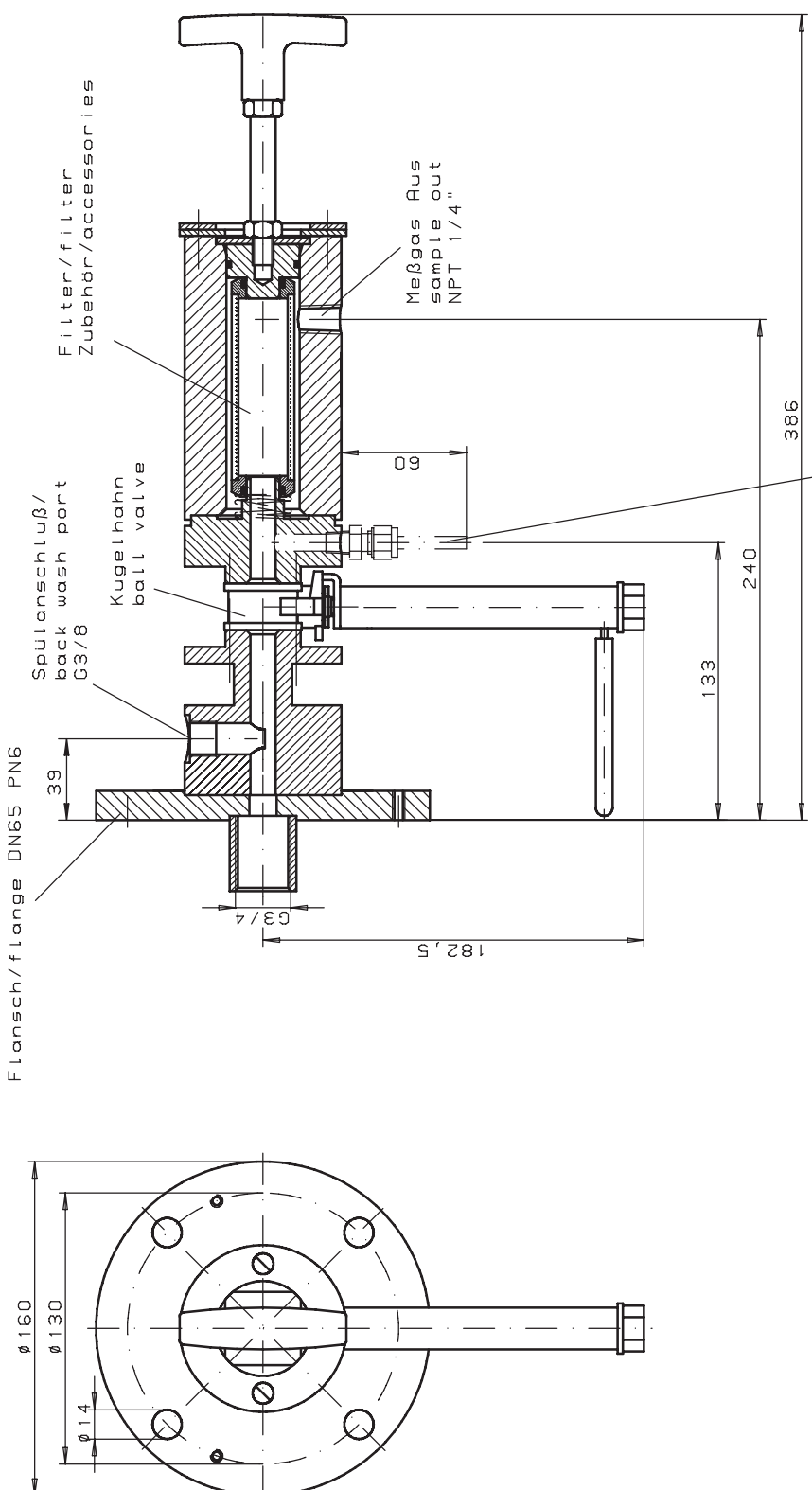
Options:

To customize the base unit to meet the needs of any application, please refer to data sheet DA461099 "Accessories for Gas Sample Probes."

- Various probe tubes
- Unheated extensions
- Filter
- Calibration gas port
- ANSI flange 3"
- Pneumatic actuator for the shut off valve
- Blowback
- Blowback control unit



For general information see data sheet "gas sample probes GAS 222" DE461000



Flansch/flange DN65 PN6

Filter/filter
Zubehör/accessories

Spülanschluß/
back wash port
G3/8

Kugelhahn
ball valve

Meßgas Aus
sample out
NPT 1/4"

Option Kalibriergasanschluß Ø6
option calibration gas port Ø6

Werkstoffe/materials
-Flansch, Kopf / flange, head
-Kugelhahn / ball valve
Betriebstemperatur Sonde / operating temperature probe
Steuerdruck Pneumatikzylinder / pilot pressure pneumatic actuator

1.4571 / SS316Ti
1.4408 / CF8M / PTFE
max. 200°C / 392°F
6 bar

ALLE RECHTE VORBEHALTEN		Meße ohne Toleranzangabe nach ISO 2768-mK	Maßstab 1:2	(Gewicht)
		Datum	Werkstoff:	
		Bearb. 14.06.99	Benennung:	
		Gepr.	Gasentnahmesonde	
a	neu 19.10.04Br		sample gas probe	
d	1x 19.01.04Br		GAS 222.11	
c	1x 19.04.02Br		Zeichn.-Nr. 46/061-01-3E	
b	2x 28.06.01Br		Art.-Nr. 4622211	
a	2x 28.10.99Br		ARBEITSANWEISUNG:	
Zust. / and.	Datum	Name	Ers für 46/061-01-4	