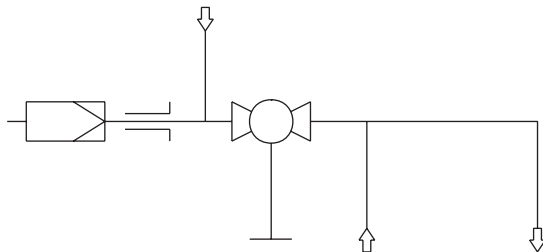


# Sample gas probe GAS 222.30 ANSI/CSA

## Flow Diagram



## Description:

- Unheated sample gas probe with shut off valve and in-situ filter
- For dust concentration up to 200g/m<sup>3</sup>, no condensate containing gases
- For hazardous areas, no internal ignition point
- C-US and CSA approval



## Technical Data:

- Material: 1.4571, ball valve 1.4408
- Seals: PTFE/graphite/1.4404 and see filter element
- Operating temperature: max. 200°C
- Max. working pressure: 6 bar

## Order information: Basic unit:

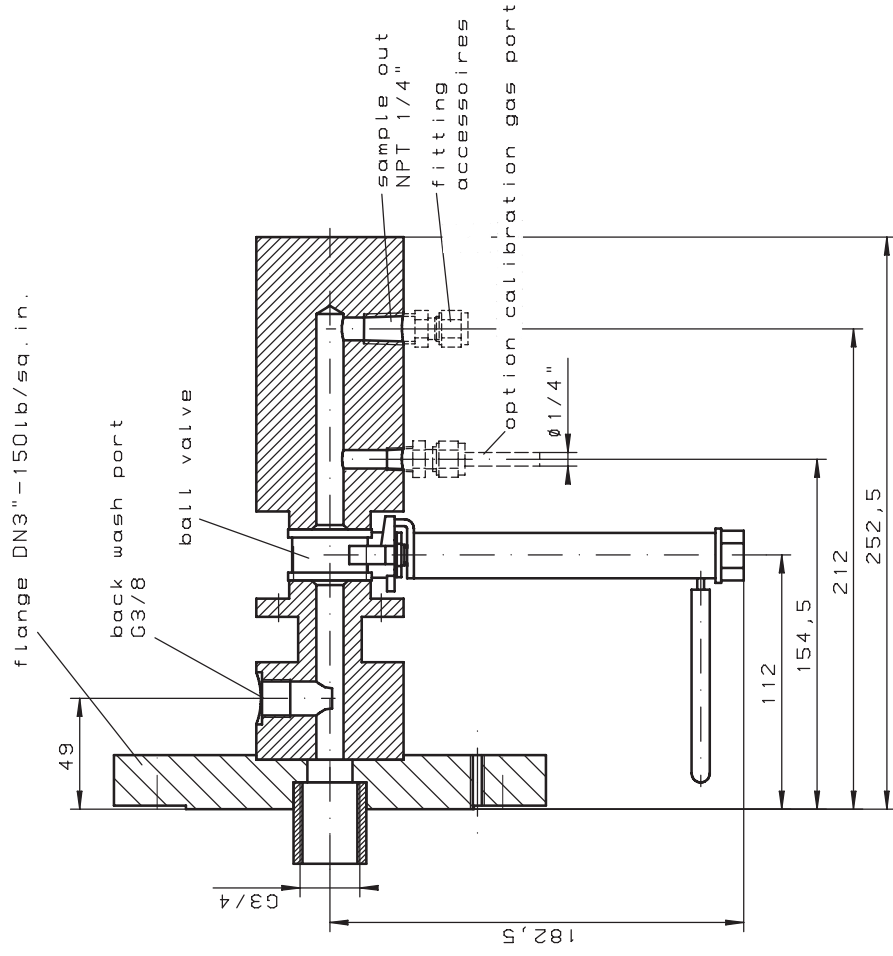
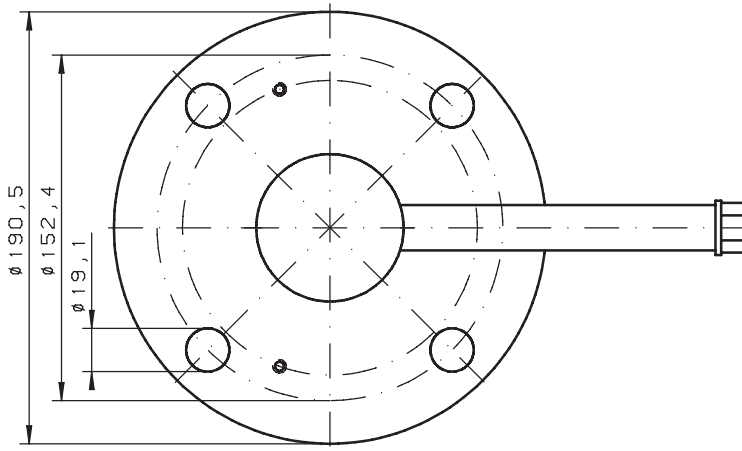
- GAS 222.30 ANSI/CSA p/n 4622230C

## Options:

To customize the base unit to meet the needs of any application, please refer to data sheet DE461099 "Accessories for Gas Sample Probes".

- Unheated extensions
- Filters
- Calibration gas port
- Pneumatic actuator
- Blowback
- Blowback control unit

For general information see data sheet "gas sample probes GAS 222" DE461000.



-materials  
 flange, head  
 ball valve  
 -operating temperature probe  
 pilot pressure pneumatic actuator

1.4571/SS316Ti  
 1.4408/CF8M/PTFE  
 max. 200°C / 392°F  
 6 bar

alle Kanten gratfrei Oberflächenbear- beitungszahlen Ra ✓ = √ X = √ Y = √ Z = √	Maße ohne Toleranzangabe VORBEHALTEN nach ISO 2768-mK	Maßstab 1:2 Markstoff: Benennung: <b>sample gas probe</b> <b>GAS 222.30 ANSI/CSA</b> Zeichng.-Nr. 46/113-Z01-01-3A Art.-Nr. 4622230C ARBEITSANWEISUNG:
Datum Beorb. 01.09.2005 Gepr.	Name Brinkmann	a. neu 29.08.06 Br
Unt.   Mod.   Datum   Name   Ers. für		