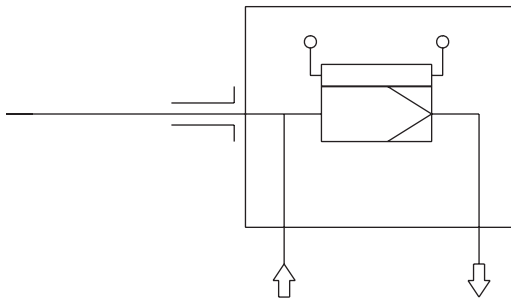


Sample gas probe GAS 222.20 ANSI/CSA

Flow Diagram



Description:

- Heated sample gas probe with downstream filter and weather protection shield
- Filter election can be replaced without tools
- Effective insulation and protection shield
- Electronic heater up to 200°C with low/high temperature alarm and display
- Dust concentration up to 2g/m³
- Not for hazardous areas
- C-US and CSA approval

Technical Data:

- Material: 1.4571
- Seals: graphite/1.4404 and see filter element
- Operating temperature: max. 200°C
- Max. working pressure: 6 bar
- Voltage: 230 V, 2,0 A, 50/60Hz
or 115 V, 3,8 A, 50/60Hz,
- Temperature range +50 to +200°C
- Alarm: adjustable $\pm 5 \dots 30K$ from set point
factory set 15K
current max. 1A
- Protection class IP54
- Ambient temperature -20 up to +70°C (may be limited by options)

Order information: Base units:

- GAS 222.20 ANSI/CSA 230V
p/n 4622220C
- GAS 222.20 ANSI/CSA 115V
p/n 4622222C

In combination with heated extensions (see accessories) you have to add a "G" to p/n. For example: 4622220CG.

Options:

To customize the base unit to meet the needs of any application, please refer to data sheet DE461099 "Accessories for Gas Sample Probes".

- Various probe tubes
- Heated/unheated extensions
- Filters
- Calibration gas port



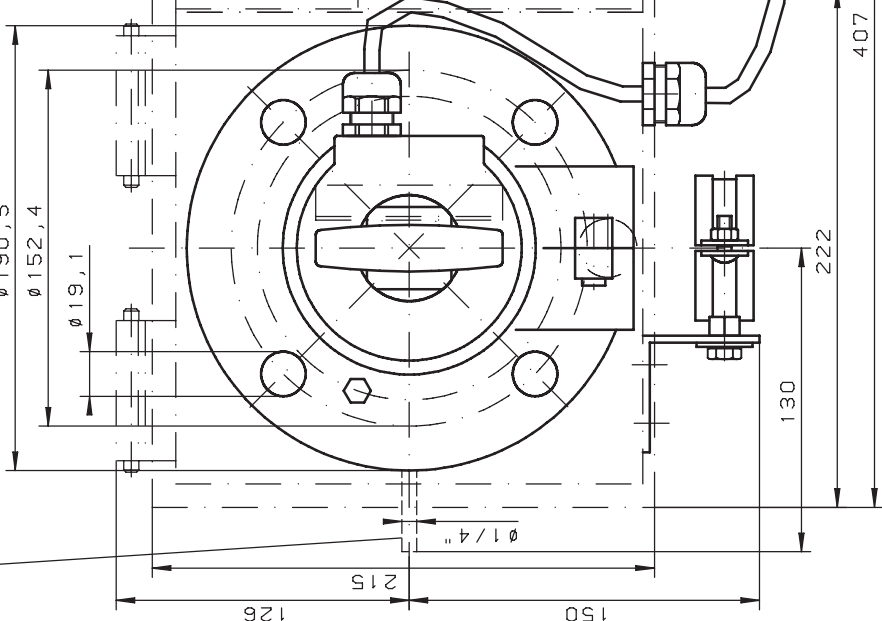
For general information see data sheet "Gas Sample Probes GAS 222" DE461000.

option calibration gas port

Ø190,5

Ø152,4

Ø19,1



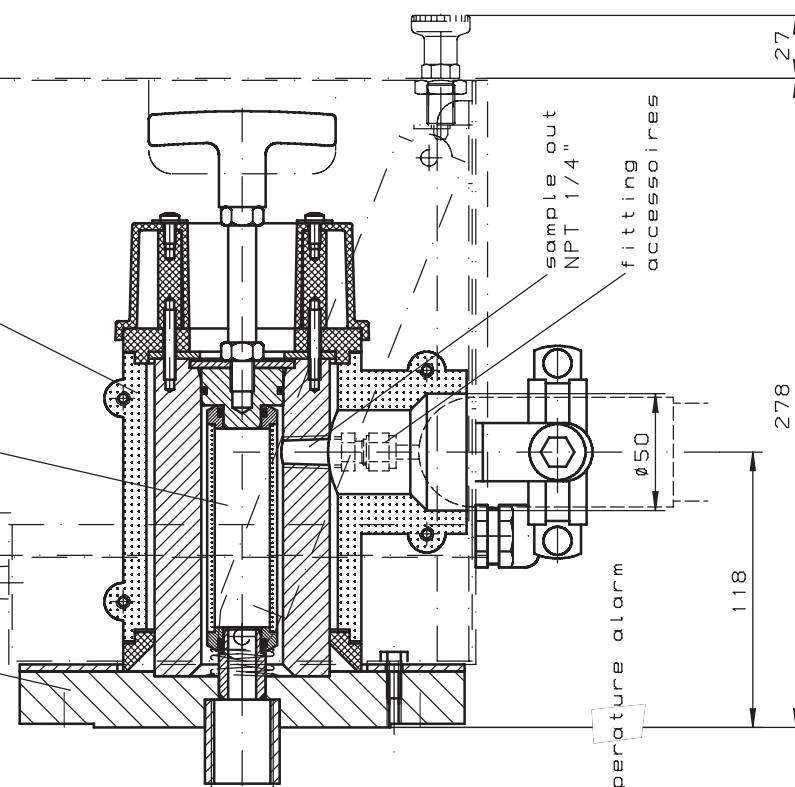
power cable gland
M20x1,5
Ø6-12mm

low/high temperature alarm
cable gland
M20x1,5
Ø6-12mm

flange DN3"-150lb/sq.in.

filter accessories

insulation



sample out
NPT 1/4"

fitting
accessories

Part-No.	4622220C	4622222C
- materials flange, head	1.4571/SS316TI	
- operating temp. probe	max. 200°C / 392°F	
- heater	230V 50/60Hz	115V 50/60Hz
- temperature range	440W	425W
- alarm adjustable	50-200°C / 122-392°F	±9 up to 54°F
- factory set	±15°C / ±27°F	
- max. current	1A	
- degree of protection	IP54	
- ambient temperature	-20 up to +70°C	
	- 4 up to +158°F	

alle Konten gratis! Oberflächenbear- beitungsschichten Rb f ₁ , f ₂ , f ₃ f ₁ , f ₁₆ f ₁ , f ₄	Maße ohne Toleranzangabe nach ISO 2768-mk Datum Name Bearb. Gepr.	Maßstab 1:2 (Gewicht) Werkstoff: Benennung: sample gas probe GAS 222.20 ANSI/CSA Zeichn.-Nr. 46/119-Z01-01-3A Art.-Nr. ARBEITSANLEITUNG.
<input checked="" type="checkbox"/> = <input checked="" type="checkbox"/> = <input checked="" type="checkbox"/> = <input checked="" type="checkbox"/> =	0 neu 12.10.06 Br Zukt. Hnd. Datum Name Ers. für	