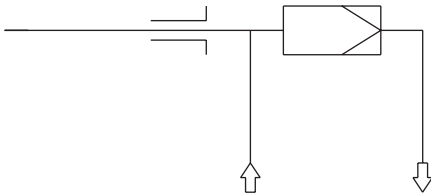


# Sample gas probe GAS 222.10 ANSI

## Flow Diagram



## Descripton:

- Unheated sample gas probe with downstream filter.
- Filter element can be replaced without tools.
- For dust concentration up to 2g/m<sup>3</sup>, non condensable gases.
- For hazardous areas, no internal ignition point.

## Technical Data:

- Material: 1.4571
- Seals: graphite/1.4404 and see filter element
- Operating temperature: max. 200°C
- Max. working pressure: 6 bar

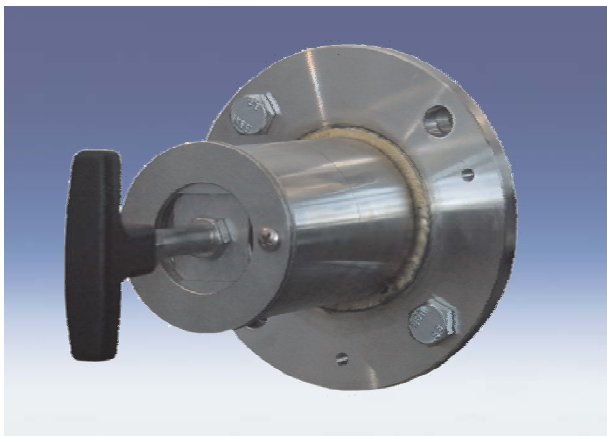
## Order information: Base unit:

- GAS 222.10 ANSI p/n 4622210C

## Options:

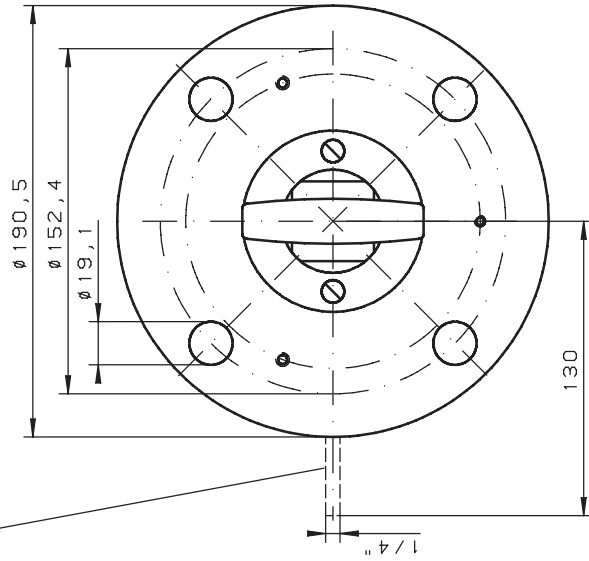
To customize the base unit to meet the needs of any application, please refer to data sheet DE461099 "Accessories for Gas Sample Probes".

- Various probe tubes
- Filters
- Calibration gas port

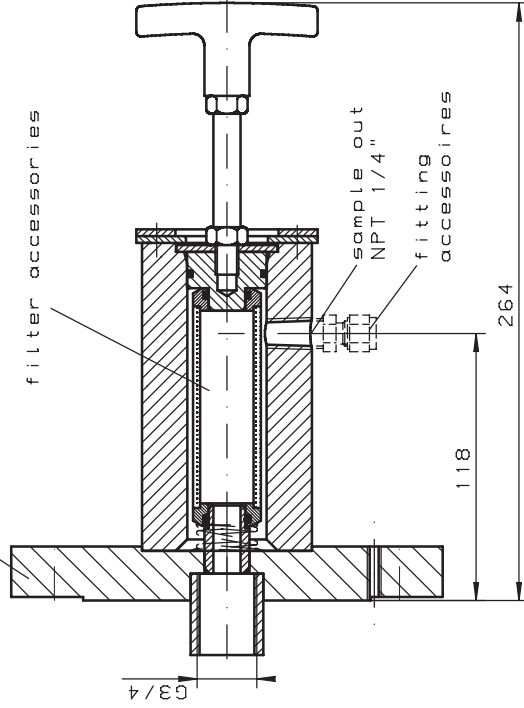


For general information see data sheet "Gas Sample Probes GAS 222" DE461000.

option calibration gas port



flange DN3"-150lb/sq.in



materials flange, head | 1.4571/SS316Ti  
operating temperature probe | max. 200 °C / 392 °F

alle Kanten geradlinig Oberflächenbear- beitungszeichen	Maße ohne Toleranzangabe nach ISO 2768-mK	Maßstab 1:2 [Gewicht]
<input checked="" type="checkbox"/> Ra	Datum	Benennung: sample gas probe GAS 222.10 ANSI
<input checked="" type="checkbox"/> Rmax	Bearb. 01.09.2005	
<input checked="" type="checkbox"/> Rmin	Gepr.	
<input checked="" type="checkbox"/> Rz		
<input checked="" type="checkbox"/> Rz1		
<input checked="" type="checkbox"/> Rz2		
<input checked="" type="checkbox"/> Rz3		
<input checked="" type="checkbox"/> Rz4		
<input checked="" type="checkbox"/> Rz5		
<input checked="" type="checkbox"/> Rz6		
<input checked="" type="checkbox"/> Rz7		
<input checked="" type="checkbox"/> Rz8		
<input checked="" type="checkbox"/> Rz9		
<input checked="" type="checkbox"/> Rz10		
<input checked="" type="checkbox"/> Rz11		
<input checked="" type="checkbox"/> Rz12		
<input checked="" type="checkbox"/> Rz13		
<input checked="" type="checkbox"/> Rz14		
<input checked="" type="checkbox"/> Rz15		
<input checked="" type="checkbox"/> Rz16		
<input checked="" type="checkbox"/> Rz17		
<input checked="" type="checkbox"/> Rz18		
<input checked="" type="checkbox"/> Rz19		
<input checked="" type="checkbox"/> Rz20		
<input checked="" type="checkbox"/> Rz21		
<input checked="" type="checkbox"/> Rz22		
<input checked="" type="checkbox"/> Rz23		
<input checked="" type="checkbox"/> Rz24		
<input checked="" type="checkbox"/> Rz25		
<input checked="" type="checkbox"/> Rz26		
<input checked="" type="checkbox"/> Rz27		
<input checked="" type="checkbox"/> Rz28		
<input checked="" type="checkbox"/> Rz29		
<input checked="" type="checkbox"/> Rz30		
<input checked="" type="checkbox"/> Rz31		
<input checked="" type="checkbox"/> Rz32		
<input checked="" type="checkbox"/> Rz33		
<input checked="" type="checkbox"/> Rz34		
<input checked="" type="checkbox"/> Rz35		
<input checked="" type="checkbox"/> Rz36		
<input checked="" type="checkbox"/> Rz37		
<input checked="" type="checkbox"/> Rz38		
<input checked="" type="checkbox"/> Rz39		
<input checked="" type="checkbox"/> Rz40		
<input checked="" type="checkbox"/> Rz41		
<input checked="" type="checkbox"/> Rz42		
<input checked="" type="checkbox"/> Rz43		
<input checked="" type="checkbox"/> Rz44		
<input checked="" type="checkbox"/> Rz45		
<input checked="" type="checkbox"/> Rz46		
<input checked="" type="checkbox"/> Rz47		
<input checked="" type="checkbox"/> Rz48		
<input checked="" type="checkbox"/> Rz49		
<input checked="" type="checkbox"/> Rz50		
<input checked="" type="checkbox"/> Rz51		
<input checked="" type="checkbox"/> Rz52		
<input checked="" type="checkbox"/> Rz53		
<input checked="" type="checkbox"/> Rz54		
<input checked="" type="checkbox"/> Rz55		
<input checked="" type="checkbox"/> Rz56		
<input checked="" type="checkbox"/> Rz57		
<input checked="" type="checkbox"/> Rz58		
<input checked="" type="checkbox"/> Rz59		
<input checked="" type="checkbox"/> Rz60		
<input checked="" type="checkbox"/> Rz61		
<input checked="" type="checkbox"/> Rz62		
<input checked="" type="checkbox"/> Rz63		
<input checked="" type="checkbox"/> Rz64		
<input checked="" type="checkbox"/> Rz65		
<input checked="" type="checkbox"/> Rz66		
<input checked="" type="checkbox"/> Rz67		
<input checked="" type="checkbox"/> Rz68		
<input checked="" type="checkbox"/> Rz69		
<input checked="" type="checkbox"/> Rz70		
<input checked="" type="checkbox"/> Rz71		
<input checked="" type="checkbox"/> Rz72		
<input checked="" type="checkbox"/> Rz73		
<input checked="" type="checkbox"/> Rz74		
<input checked="" type="checkbox"/> Rz75		
<input checked="" type="checkbox"/> Rz76		
<input checked="" type="checkbox"/> Rz77		
<input checked="" type="checkbox"/> Rz78		
<input checked="" type="checkbox"/> Rz79		
<input checked="" type="checkbox"/> Rz80		
<input checked="" type="checkbox"/> Rz81		
<input checked="" type="checkbox"/> Rz82		
<input checked="" type="checkbox"/> Rz83		
<input checked="" type="checkbox"/> Rz84		
<input checked="" type="checkbox"/> Rz85		
<input checked="" type="checkbox"/> Rz86		
<input checked="" type="checkbox"/> Rz87		
<input checked="" type="checkbox"/> Rz88		
<input checked="" type="checkbox"/> Rz89		
<input checked="" type="checkbox"/> Rz90		
<input checked="" type="checkbox"/> Rz91		
<input checked="" type="checkbox"/> Rz92		
<input checked="" type="checkbox"/> Rz93		
<input checked="" type="checkbox"/> Rz94		
<input checked="" type="checkbox"/> Rz95		
<input checked="" type="checkbox"/> Rz96		
<input checked="" type="checkbox"/> Rz97		
<input checked="" type="checkbox"/> Rz98		
<input checked="" type="checkbox"/> Rz99		
<input checked="" type="checkbox"/> Rz100		
<input checked="" type="checkbox"/> Rz101		
<input checked="" type="checkbox"/> Rz102		
<input checked="" type="checkbox"/> Rz103		
<input checked="" type="checkbox"/> Rz104		
<input checked="" type="checkbox"/> Rz105		
<input checked="" type="checkbox"/> Rz106		
<input checked="" type="checkbox"/> Rz107		
<input checked="" type="checkbox"/> Rz108		
<input checked="" type="checkbox"/> Rz109		
<input checked="" type="checkbox"/> Rz110		
<input checked="" type="checkbox"/> Rz111		
<input checked="" type="checkbox"/> Rz112		
<input checked="" type="checkbox"/> Rz113		
<input checked="" type="checkbox"/> Rz114		
<input checked="" type="checkbox"/> Rz115		
<input checked="" type="checkbox"/> Rz116		
<input checked="" type="checkbox"/> Rz117		
<input checked="" type="checkbox"/> Rz118		
<input checked="" type="checkbox"/> Rz119		
<input checked="" type="checkbox"/> Rz120		
<input checked="" type="checkbox"/> Rz121		
<input checked="" type="checkbox"/> Rz122		
<input checked="" type="checkbox"/> Rz123		
<input checked="" type="checkbox"/> Rz124		
<input checked="" type="checkbox"/> Rz125		
<input checked="" type="checkbox"/> Rz126		
<input checked="" type="checkbox"/> Rz127		
<input checked="" type="checkbox"/> Rz128		
<input checked="" type="checkbox"/> Rz129		
<input checked="" type="checkbox"/> Rz130		
<input checked="" type="checkbox"/> Rz131		
<input checked="" type="checkbox"/> Rz132		
<input checked="" type="checkbox"/> Rz133		
<input checked="" type="checkbox"/> Rz134		
<input checked="" type="checkbox"/> Rz135		
<input checked="" type="checkbox"/> Rz136		
<input checked="" type="checkbox"/> Rz137		
<input checked="" type="checkbox"/> Rz138		
<input checked="" type="checkbox"/> Rz139		
<input checked="" type="checkbox"/> Rz140		
<input checked="" type="checkbox"/> Rz141		
<input checked="" type="checkbox"/> Rz142		
<input checked="" type="checkbox"/> Rz143		
<input checked="" type="checkbox"/> Rz144		
<input checked="" type="checkbox"/> Rz145		
<input checked="" type="checkbox"/> Rz146		
<input checked="" type="checkbox"/> Rz147		
<input checked="" type="checkbox"/> Rz148		
<input checked="" type="checkbox"/> Rz149		
<input checked="" type="checkbox"/> Rz150		
<input checked="" type="checkbox"/> Rz151		
<input checked="" type="checkbox"/> Rz152		
<input checked="" type="checkbox"/> Rz153		
<input checked="" type="checkbox"/> Rz154		
<input checked="" type="checkbox"/> Rz155		
<input checked="" type="checkbox"/> Rz156		
<input checked="" type="checkbox"/> Rz157		
<input checked="" type="checkbox"/> Rz158		
<input checked="" type="checkbox"/> Rz159		
<input checked="" type="checkbox"/> Rz160		
<input checked="" type="checkbox"/> Rz161		
<input checked="" type="checkbox"/> Rz162		
<input checked="" type="checkbox"/> Rz163		
<input checked="" type="checkbox"/> Rz164		
<input checked="" type="checkbox"/> Rz165		
<input checked="" type="checkbox"/> Rz166		
<input checked="" type="checkbox"/> Rz167		
<input checked="" type="checkbox"/> Rz168		
<input checked="" type="checkbox"/> Rz169		
<input checked="" type="checkbox"/> Rz170		
<input checked="" type="checkbox"/> Rz171		
<input checked="" type="checkbox"/> Rz172		
<input checked="" type="checkbox"/> Rz173		
<input checked="" type="checkbox"/> Rz174		
<input checked="" type="checkbox"/> Rz175		
<input checked="" type="checkbox"/> Rz176		
<input checked="" type="checkbox"/> Rz177		
<input checked="" type="checkbox"/> Rz178		
<input checked="" type="checkbox"/> Rz179		
<input checked="" type="checkbox"/> Rz180		
<input checked="" type="checkbox"/> Rz181		
<input checked="" type="checkbox"/> Rz182		
<input checked="" type="checkbox"/> Rz183		
<input checked="" type="checkbox"/> Rz184		
<input checked="" type="checkbox"/> Rz185		
<input checked="" type="checkbox"/> Rz186		
<input checked="" type="checkbox"/> Rz187		
<input checked="" type="checkbox"/> Rz188		
<input checked="" type="checkbox"/> Rz189		
<input checked="" type="checkbox"/> Rz190		
<input checked="" type="checkbox"/> Rz191		
<input checked="" type="checkbox"/> Rz192		
<input checked="" type="checkbox"/> Rz193		
<input checked="" type="checkbox"/> Rz194		
<input checked="" type="checkbox"/> Rz195		
<input checked="" type="checkbox"/> Rz196		
<input checked="" type="checkbox"/> Rz197		
<input checked="" type="checkbox"/> Rz198		
<input checked="" type="checkbox"/> Rz199		
<input checked="" type="checkbox"/> Rz200		

Zeichn.-Nr. 46/108-Z01-01-3A  
Art.-Nr. 4622210C  
ARBEITSAUSWEISUNG:

BUHLER  
D 1x 20.02.06 Br.  
Zust.: Rnd. Datum Name Ers für