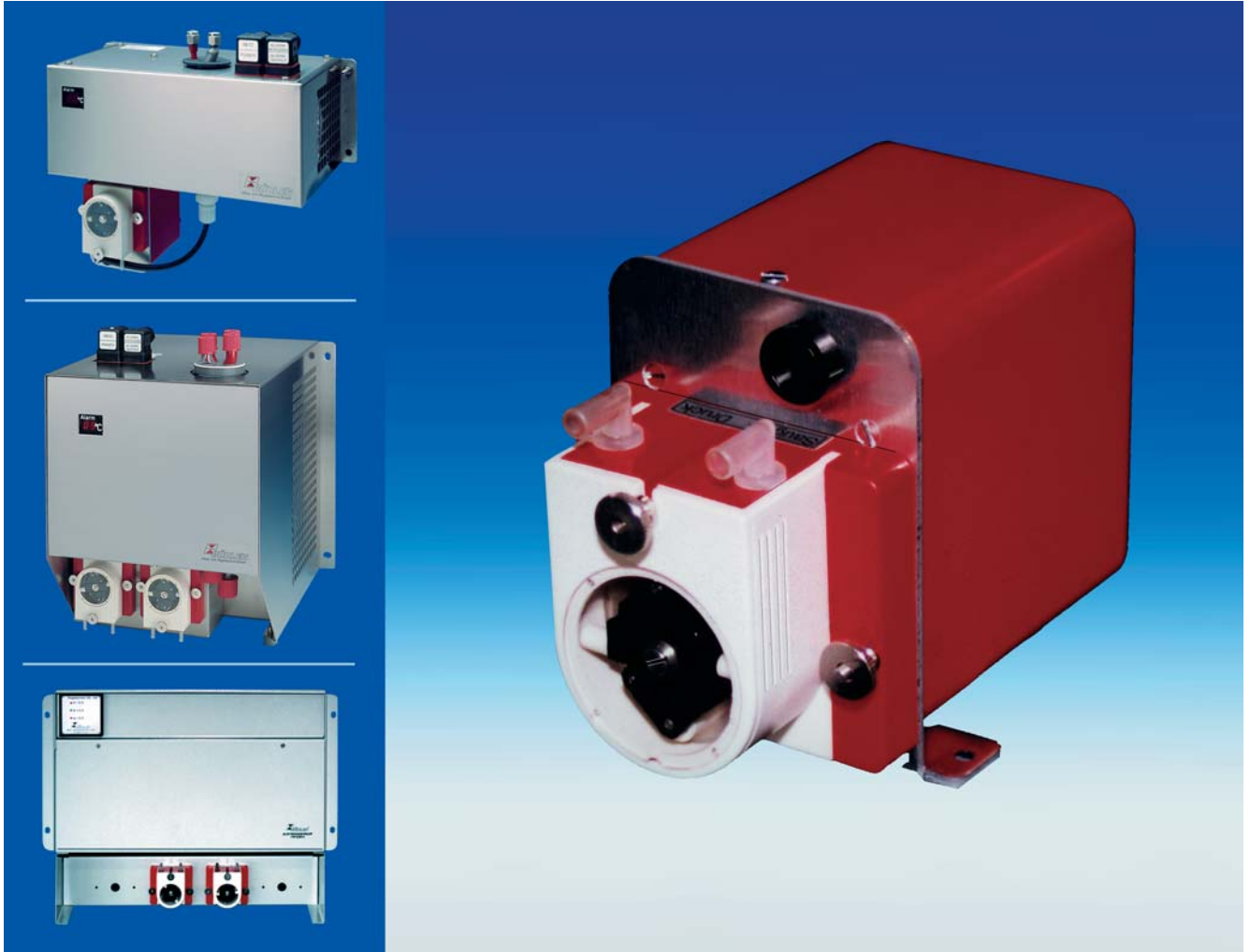


Condensate discharge by peristaltic pumps



The discharge of condensate collected from sample conditioning systems requires a means of removal.

Peristaltic pumps are the appropriate equipment for systems operating under negative pressure.

To make integration as simple as possible, add-on frames are provided which mount directly to the EGK 1/2 or EGK 4 coolers. Up to 2 pumps can be integrated inside the EGK 1/2 and up to 4 inside the EGK 4 frame.

For other applications standalone pumps with protective housing are available.

Peltier cooler Model PKE 5 can be supplied with a pre-mounted pump.

Technical Data: Peristaltic Pump

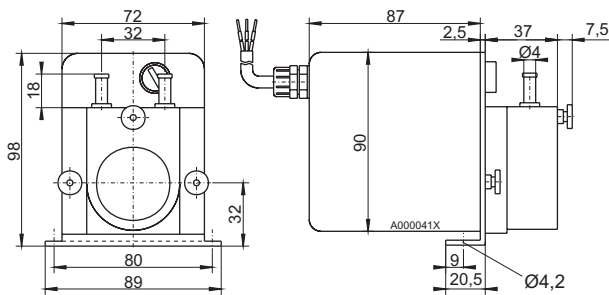
Power supply	230 V AC, 50/60 Hz	115 V AC, 50/60 Hz
Power consumption	60 mA	110 mA
Connection	flat plug (Integrated pumps) cable 2 m (pump with housing)	

Flow rate	0.3 l/h (50 Hz) / 0.36 l/h (60 Hz)
Vacuum	> 0.6 bar
Pressure	> 0.5 bar
Hose	3.2x1.6 mm Norprene

Higher flow rate is available upon request.

Please indicate with order

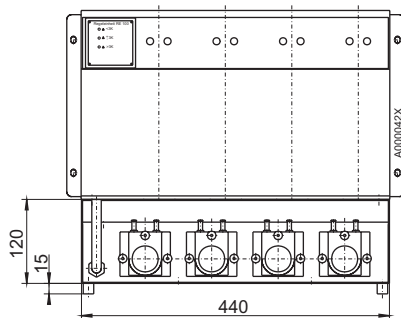
<i>Part no.</i>	<i>Model</i>
9124030027	Spare tube with 90° angle connections
9124030034	Spare tube with straight connections



Pump

45 10 122	Peristaltic pump with shield for stand alone installation 230 V AC, 50/60 Hz, Protection class IP 51
45 10 222	Peristaltic pump with shield for stand alone installation 115 V AC, 50/60 Hz, Protection class IP 51

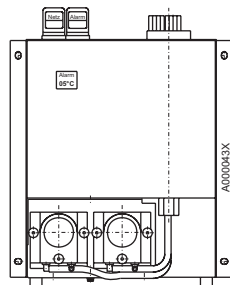
EGK 4



EGK 4

45 10 120	Auxiliary frame for EGK 4 assembled with peristaltic pump 230 V AC, 50/60 Hz
45 10 220	Auxiliary frame for EGK 4 assembled with peristaltic pump 115 V AC, 50/60 Hz
45 10 121	Additional peristaltic pump 230 V AC, 50/60 Hz
45 10 221	Additional peristaltic pump 115 V AC, 50/60 Hz

EGK 1/2



EGK 1/2

45 10 130	Auxiliary frame for EGK 1/2 assembled with peristaltic pump 230 V AC, 50/60 Hz
45 10 131	Auxiliary frame for EGK 1/2 assembled with peristaltic pump 115 V AC, 50/60 Hz
45 10 230	Additional peristaltic pump 230 V AC, 50/60 Hz
45 10 231	Additional peristaltic pump 115 V AC, 50/60 Hz