

## Condensate Vessels



In negative pressure sample conditioning systems, condensate removal from the sample gas coolers or similar equipment requires the use of peristaltic pumps and/or of intermediate storage vessels.

Models GL 1 and GL 2 have a drain valve and differ only by their storage volume.

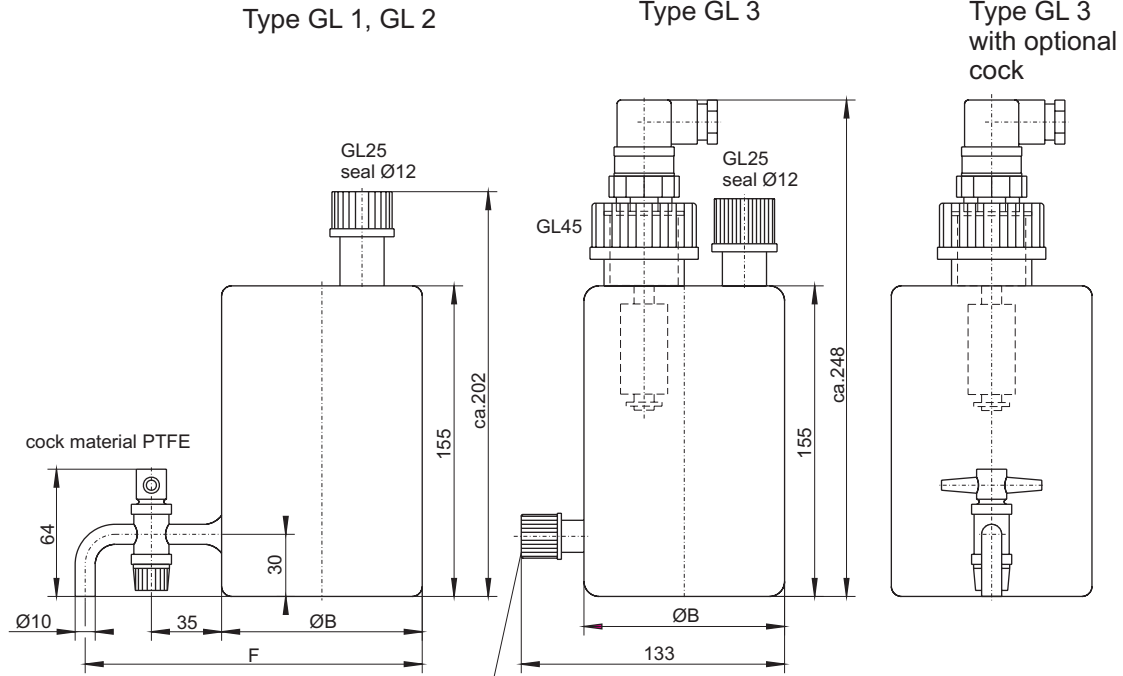
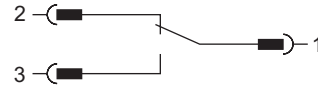
The unique features of the GL 3 vessel include a liquid level switch, which may output the liquid level or control a drain pump. The outlet is designed for a tube connection, however an optional drain valve is available.

All condensate vessels are corrosion-resistant and available in Duran glass and PTFE.

## Technical Data

Model GL 3 contact	230 V, 1 A, 40 VA, changeover
Material	Duran glas, PTFE, PP
Media temperature	max. 80°C

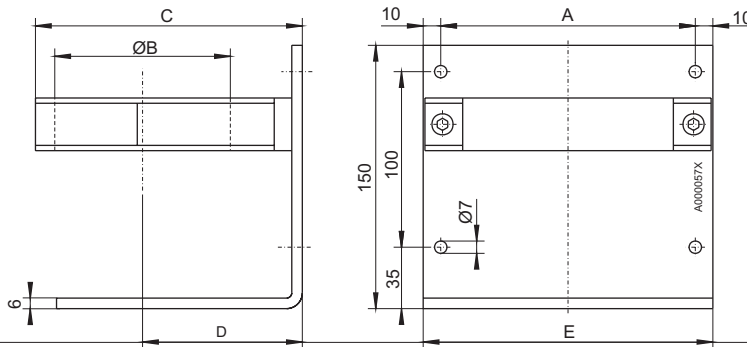
### Wiring diagram GL 3



Model	A	B	C	GL18 seal Ø10	E	F	Volume
GL 1	65 mm	Ø 60 mm	100 mm	63 mm	85 mm	128 mm	0.4 l
GL 2/ GL 3	145 mm	Ø 100 mm	52 mm	91 mm	165 mm	168 mm	1 l

## Wall Mounting

Material PVC / PE



**Ex** **Cautions for use in explosive atmosphere:**  
Use equipment only in areas where ignitable electrostatic discharges can not occur frequently during normal operation.

### GL1, GL2, GL3 (Zone 1 and 2, Group IIB)

- $U_{max} = 15VDC$ ,  $I_{max} = 5mA$ ; L, and C, negligible
- Clean plastic parts and labels only with damp cloth
- Protect the equipment against impact.

### Model GL3 Level Switch (Designation: II 2G EEx ib IIB T5)

- Use only in intrinsically safe environments
- Observe the requirements of Directive 94/9/EC, EN 60079-14.
- $U_{max} = 30VDC$ ,  $I_{max} = 90mA$ ; L, and C, negligible

## Please indicate with order

Part no.	Model
44 100 05	condensate vessel GL 1, with PVC support
44 100 19	condensate vessel GL 2, with PVC support
44 100 29	condensate vessel GL 3, with PVC support, without cock
44 100 292	optional cock for GL 3



**Attention!**  
**The liquid can be harmful.**  
**Observe safety regulations!**

We reserve the right to amend specification